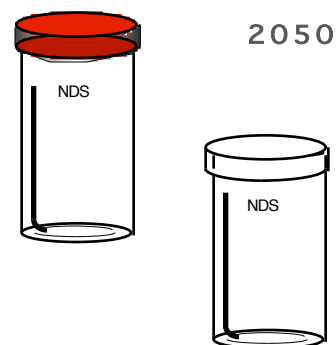


**2050- TLC DEVELOPING TANK..CYLINDRICAL**

Cylindrical glass tanks are designed for efficient development of plates 5 x 20cm to 10 x 20cm in size. Our tanks provide for maximum vapor phase saturation while using a minimum amount of solvent.

Article No	Plate Size	Lid	Price [ea]
2050-02	1 x 3"	Polyethylene	<b>32.50</b>
2050-04	1 x 3"	Polyethylene	<b>290.00</b>
2050-06	5 x 20cm	Glass	<b>72.25</b>
2050-08	10 x 20cm	Glass	<b>99.15</b>
2050-10	5 x 10cm	Polyethylene	<b>38.50</b>
2050-12	5 x 10cm	Polyethylene Pkg 10	<b>340.00</b>
2050-14	5 x 20cm	Polyethylene	<b>60.00</b>
2050-16	5 x 20cm	Polyethylene Pkg 10	<b>425.00</b>
<u>Accessories</u>			
2050-20	Lid, Polyethylene for 1 x 3" Tank	Pkg 10	<b>32.00</b>
2050-22	Lid, Polyethylene for 5 x 10cm & 5 x 20cm Tank	Pkg 10	<b>32.50</b>



NDS Technologies TLC Developing Tanks are manufactured using heavy duty clear sided glass. The developing tanks is designed to for use with 10 x 10cm 10 x 20cm and 20 x 20cm TLC plates. Tops of tanks are ground to provide a reliable seal to the lid. Tanks have a ridge molded into the center of the tank to allow simultaneous development with two 20 x 20 cm, two 10 x 20cm or four 5 x 20cm plates. Complete developing tanks are supplied with a clear flat glass lid.

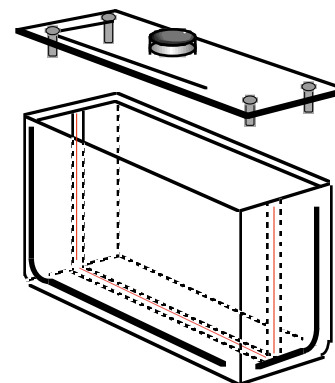
Tanks are available in two styles...Both have ground tops. 2052 has a plain top and 2053 has a latch lid.

Lids are available in two styles, 2052 is Nonslip with a knob for easy lifting and [4] PTFE retainers to keep the lid from accidentally sliding off the tank. 2053 latch lids are designed to hold firmly to the latch lid developing tank, which greatly improves the the stability of the saturated environment. Latch lid also have a knob for easy removal and PTFE retainers.

**2052- TLC DEVELOPING TANK..RECTANGULAR NONSLIP**

Article No	Plate Size	Price [ea]
2052-02	10 x 10cm Complete	<b>130.00</b>
2052-04	10 x 20cm Complete	<b>180.00</b>
2052-06	20 x 20cm Complete	<b>180.00</b>
<u>Accessories</u>		
2052-12	Nonslip Lid only ....10 x 10cm	<b>45.00</b>
2052-14	Nonslip Lid only ....10 x 20 & 20 x 20cm	<b>59.00</b>
2052-24	Tank only....10 x 10cm	<b>89.00</b>
2052-26	Tank only....10 x 20cm	<b>122.00</b>
2052-28	Tank only....20 x 20cm	<b>122.00</b>

2052



**2053- TLC DEVELOPING TANK..RECTANGULAR with LATCH LID**

Article No	Plate Size	Price [ea]
2053-02	10 x 10cm	<b>170.00</b>
2053-04	10 x 20cm	<b>205.00</b>
2053-06	20 x 20cm	<b>205.00</b>
<u>Accessories</u>		
2053-12	Latch Lid only...10 x 10cm	<b>41.00</b>
2053-14	Latch Lid only...10 x 20 & 20 x 20cm	<b>62.00</b>
2053-22	Tank only.... latch lid 10cm x 10cm	<b>130.00</b>
2053-24	Tank only.... latch lid 10cm x 20cm	<b>156.00</b>
2053-26	Tank only.... latch lid 20cm x 20cm	<b>156.00</b>

2053

